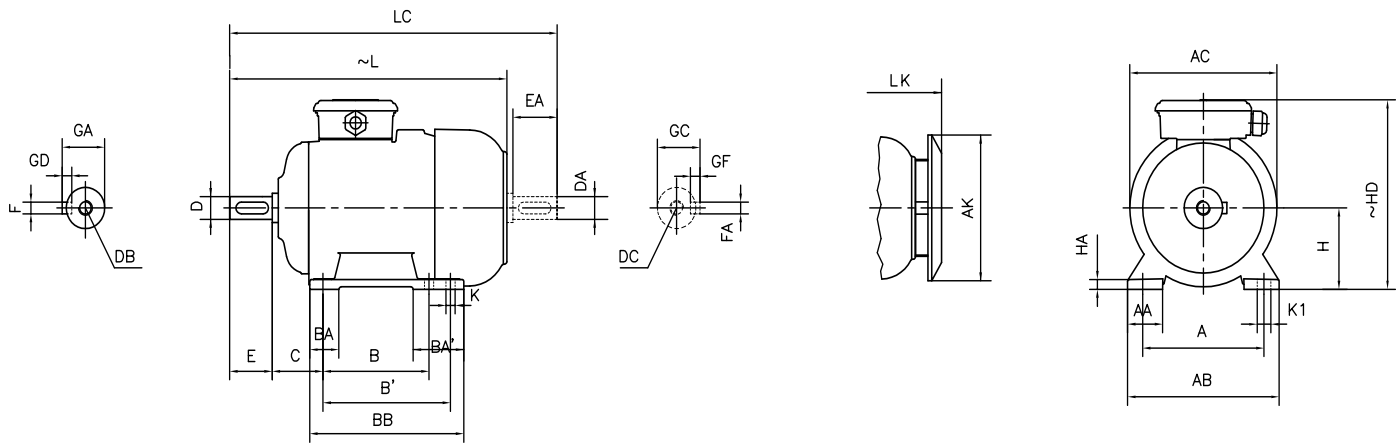




**GAMAK MOTORS LIMITED**

**SUPPLIERS OF QUALITY ELECTRIC MOTORS**

**DATA SHEET**



H	HD	HA	A	AA	AB	AC	AK	K	K1	B	B'	BA	BA'	BB	L	LC	LK	C	E	DB	D	GA	F X	GD	F X	GF
90	216	12	140	43	180	176	151	10	15	125		35		155	334	389	363	56	50	M8	24	27	8	X7		

Electrical			
kW	1.1		
Frame	AGM2E90L		
Poles	6		
Frequency	50	Hz	
Speed Full Load	930	rpm	
Rated Voltage	400	v	
Current	2.9	amps	
Duty Rating	S1		
Service Factor	1.0		
Ambient	40	Deg C	
Altitude Asl m	1000	m asl	
Insulation Class	F		
Temperature Rise	80	Deg C	
Rated Torque	11.3	Nm	
Locked Rotor Torque DOL	2.2	$M_A/M_N$	
Breakdown Torque	2.4	$M_k/M_N$	
Locked Rotor Current DOL	4.0	$I_A/I_N$	
<b>Power factor</b>	<b>Efficiency</b>		
Full	0.70	78.1	%
3/4 L		78.1	%
1/2 L		75.1	%

Bearings	
<b>Drive End</b>	<b>Non Drive End</b>
6205 ZZ	6205 ZZ

Notes	

Mechanical	
<b>Enclosure</b>	IP55
<b>Mounting Type</b>	Foot
<b>Rotation from DE</b>	Bi-directional
<b>Approx. Wt. net</b>	14 kg
<b>Rotor inertia</b>	0.0044 kgm <sup>2</sup>
<b>Shipping dimensions</b>	

DATE OF ISSUE	APPROVED	CHECKED	SERIAL No
21/01/2016			